

# DW80R9950US

SAMSUNG

## Samsung AquaBlast™ 39 dBA Dishwasher



### Signature Features

#### AquaBlast™ System

- AquaBlast™ jets provide corner-to-corner coverage for superb cleaning.

#### Flexible 3rd Rack

- The flexible 3rd rack provides extra space to load silverware. Use the adjustable section for oversized utensils.

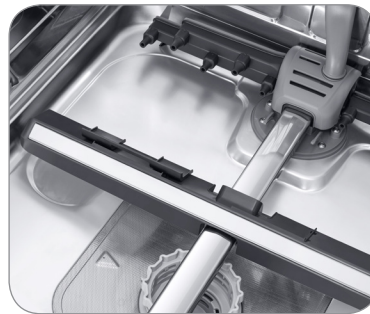
#### Gliding Rail

- Enjoy effortless loading and unloading with this Samsung dishwasher. The rack is designed with a soft rail feature that glides in and out for greater comfort and less shaking. Whether under the strain of heavy pots and pans or cradling a delicate load of stemware, the rack pulls out smoothly.

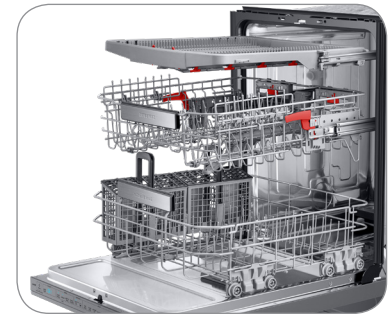
### Available Colours

 Fingerprint Resistant Stainless Steel (shown)

 Fingerprint Resistant Black Stainless Steel



AquaBlast™ System



Flexible 3rd Rack

### Features

- AquaBlast™ System
- Flexible 3rd Rack
- Gliding Rail
- Fingerprint Resistant Stainless Finish
- Zone Booster™
- Touch Control
- Quiet Operation: 39 dBA
- Wi-Fi Connectivity
- 7 Wash Cycles
- 8 Options
- Half-Load Cycle
- Express Cycle: 60 Minutes
- One-Touch Adjustable Racking System
- Full Stainless Steel Interior
- 15 Place Settings
- 3 Spray Wash Arms (Upper, Middle, Lower)
- AutoRelease™ Door

### Convenience

- LED Time Display
- Control Lock
- Delay Start
- Digital Leak Sensor

### Rating

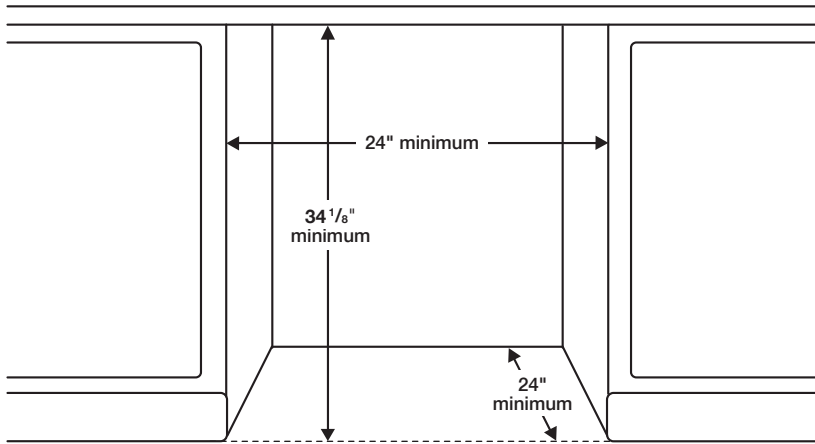
ENERGY STAR®-rated:  
239 kWh/yr

# DW80R9950US

SAMSUNG

## Samsung AquaBlast™ 39 dBA Dishwasher

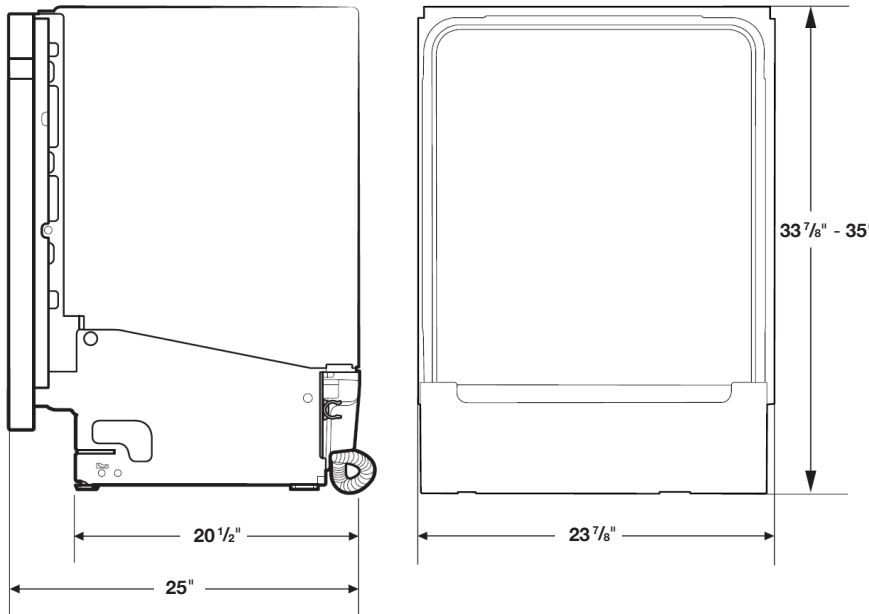
### Installation Specifications



### Dimensions

Side View

Rear View



### Features

- 7 Wash Cycles: Auto, Normal, Heavy, Delicate, Express 60, Rinse Only, Self Clean
- 8 Options: Half-Load Wash (Lower Rack), Zone Booster™ (Left), Speed Booster, Hi-Temp Wash, Sanitize (Anti-bacterial – NSF), Delay Start, Control Lock, Smart Control (Wi-Fi App)
- AutoRelease™ Door
- Hidden Heat Element
- Stainless Steel Interior Tub

### Convenience

- Control Lock
- Digital Water Leakage Sensor
- Flexible Third Rack
- One-Touch Adjustable Racking System
- Silverware Basket
- Upper Rack: Foldable Cup Shelves, 2 Adjustable Tines
- Lower Rack: Fold-Down Tines

### Warranty

One (1) Year All Parts and Labour

Five (5) Year Limited on Printed Circuit Board and Interior Nylon Racks

Five (5) Year Warranty on Linear Motion Parts

Lifetime on Stainless Steel Tub

### Product Dimensions & Weight (WxHxD)

Dimensions (height is adjustable):  
23<sup>7</sup>/<sub>8</sub>" x 33<sup>7</sup>/<sub>8</sub>" – 35" x 25"

Weight: 95 lbs

### Shipping Dimensions & Weight (WxHxD)

Dimensions:  
26" x 34<sup>3</sup>/<sub>4</sub>" x 29<sup>3</sup>/<sub>4</sub>"

Weight: 101 lbs

### Colour

Fingerprint Resistant  
Stainless Steel

### Model #

DW80R9950US

### UPC Code

887276296654

Fingerprint Resistant  
Black Stainless Steel

DW80R9950UG

887276296630

### Assets

Access DW80R9950US assets on Box.com -  
<https://app.box.com/folder/65193082715>

DW80R9950UG -  
<https://app.box.com/folder/65192686633>

If you do not have a BOX account, please email  
boxinvites@cheil.com for access.